



The People You Know. The Products You Trust.



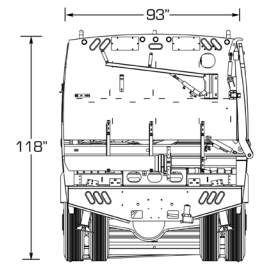
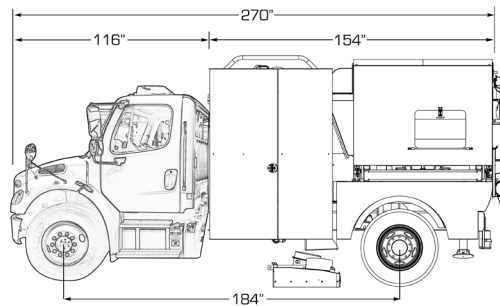
**PATENT
PENDING**

A8 Twister SE™

Quality	Performance	Public Safety	Value	Customer Support



**PATENT PENDING SINGLE
ENGINE TECHNOLOGY
WITHOUT THE LOSS OF
PERFORMANCE**



*TYPICAL MEASUREMENTS SHOWN, EXACT DIMENSIONS DEPENDING ON OPTIONS AND TRUCK MANUFACTURER

SWEEPING PATH

Pickup head only	90 in (2,286 mm)
Head and 1 broom	117 in (2,972 mm)
Head and 2 brooms	144 in (3,658 mm)

CHASSIS

Freightliner M2 106

SWEEPER BODY

Construction	Welded 10-gauge stainless steel plate
Safety props	Lift spacers

CHASSIS AND SWEEPER POWER

Model/type	ISB 6.7 in-line 6 cylinder
Emissions	GHG21 turbo-charged diesel

Manufacturer	Cummins Corp
Displacement	6.7 liter (409 c.i.)
Brake horsepower	240 hp (180 kw) @ 2500 rpm
Torque	560 ft lb (759 Nm) @ 1100 rpm

Air cleaner	High capacity dry type with safety element and restriction indicator
-------------	--

Oil filter	Full-flow/spin-on
Stroke	5 in (127 mm)
Bore	4.20 in (106 mm)
Compression ratio	19 to 1
Safety shutdown	Cummins automatic
Throttle control	Electronic

SWEEPER/CHASSIS ELECT. SYSTEM

Voltage	12 V
Engine alternator	160 amp

DUST CONTROL SYSTEM

Type	High pressure/low volume
Capacity	470 gallon (1,786 L) Options to 570 gallon (2,166 L)

Tank construction	Polyethylene
Filter	50 mesh; cleanable
Fill diameter	2.5 in (63.5 mm)
Fill hose	25 ft (7,620 mm)
Controls	Electric; in-cab
Nozzles	2 on each broom; 5 around suction head; 2 inside suction nozzle; 2 on front axle; 2 inside hopper

Water level gauge	In-cab
-------------------	--------

INSTRUMENTATION

Sweeper	Flat panel display; spray water level; hydraulic oil temperature; sweep mode; sweep in reverse; vacuum enhancer position; hopper position; sweeper diagnostics; broom speed; sweep power
---------	--

FAN SYSTEM

Type	Closed-face radial
Drive	Hot shift PTO via 5 groove; banded power belt
Construction	AR steel
Balance	1.5 grams on 2 sides
Diameter	32.75 in (832 mm)
Housing lining	Bolt-in corded rubber
Mounting	2 regreasable sealed bearings
Vacuum enhancer	For heavy/light material; in-cab indicator

PICKUP HEAD

Type	Dual chambered full-width blast orifice
Operating direction	Forward and reverse
Suspension	Adjustable spring balanced
Length	90 in (2,286 mm)
Pressure hose diam	14 in (355.6 mm)
Suction hose diam	14 in (355.6 mm)
Hose construction	3/8 in (9.5 mm) wire-reinforced molded rubber
Head area	3,240 sq in (20,903 sq cm)
Controls	Hydraulic raise and lower
Skids	Double wide tungsten carbide
Construction	Abrasion-resistant steel inlet and outlet transitions.

SIDE BROOMS

Type	Vertical steel digger
Location	Right; left; forward of pickup head
Diameter	44 in (1,118 mm)
Drive	Hydraulic
Suspension	Torque-sensing spring
Wear adjustment	Automatic
Pressure	Manual
Speed	Variable; non-reversing
Segments	5 each side; disposable
Tilt angle adj.	In-cab controls

DEBRIS HOPPER

Volumetric capacity	6 cu yd (4.59 cu m)
Dump angle	50 degrees
Floor angle	0 degrees
Lifting	Twin hydraulic cylinders scissor-lift
Hopper dump door	Full height; full width open/close/lock hydraulically
Inspection doors	1 on left side of hopper
Dump height	24 in to 144 in high
Construction	Stainless steel floor; sides and roof

HYDRAULIC SYSTEM

Type	Variable displacement
Max Pump capacity	27 gpm @ 1800 rpm (103 lpm)
Drive	Belt
Maximum pressure	2,750 psi (190 bar)
Reservoir	25 gal (94 L)
Filter	10 micron; In-tank
Protection	Pressure relief valve
Controls	Electro-hydraulic

AUXILIARY HYDRAULIC SYSTEM

Type	Gear type; driven by electric motor
Function	Lower hopper; open/close hopper door; raise/lower brooms and pickuphead

PAINT

One coat of sealer/primer and two coats of in standard white color.	
Paint	White; Sherwin Williams Genesis G2 #100268977

Note: Design and specifications subject to change without notice.



Serving Washington, Idaho, Montana, Oregon



© 2022 Schwarze Industries
1055 Jordan Road
Huntsville, AL 35811
800.879.7933
An Alamo-Group Company