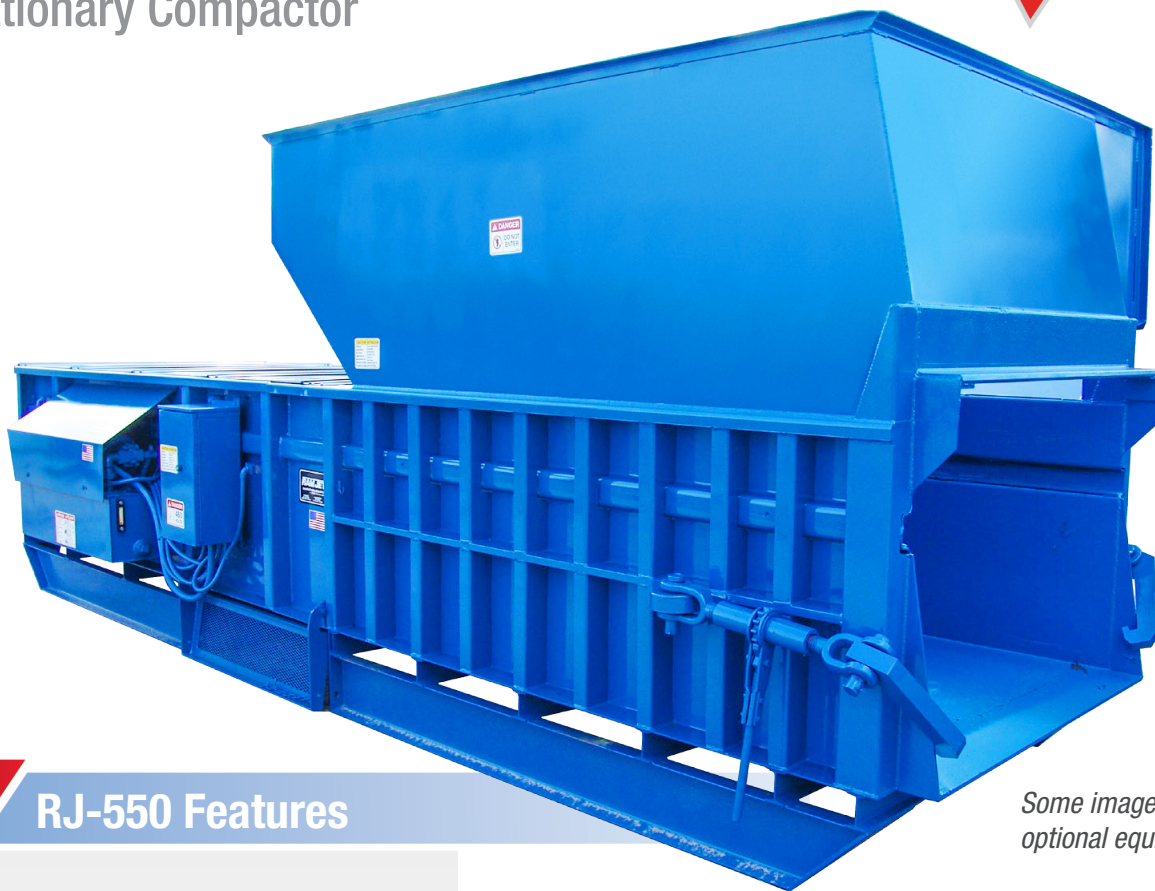


# STATIONARY COMPACTORS

## RJ-550

Stationary Compactor



*Some images shown with optional equipment*

### RJ-550 Features

- ▼ *Designed to handle heavy-duty waste streams*
- ▼ *Ideal for small transfer stations or municipal drop-off centers*
- ▼ *Heavy-duty design and high-compaction force yield excellent volume reduction with MSW and limited amounts of C&D waste streams*

### The Worldwide Compaction Leader

Marathon® Equipment is known throughout the world as one of the leading manufacturers of quality on-site waste compaction products. The RamJet® brand has been the industry standard for quality and innovation for more than 50 years, and includes stationary and self-contained compactors, compaction containers, apartment and high-rise compactors, pre-crushers, auger-style compactors, transfer systems, and a wide array of options for virtually any application.



**Environmental  
Solutions Group®**

a DOVER company

## RJ-550 Compactor

### Overview

#### Perfect for:



Transfer Stations



Municipal Recycling  
Drop-Off Centers



Distribution Centers



Manufacturing Facilities

### Why Marathon<sup>®</sup> Equipment Is the Preferred Choice

**Marathon** components are selected for longevity and minimum maintenance, with special attention given to the selection of high-duty cycle components. Stress engineering provides the optimum degree of structural integrity. Only the best materials are used and the highest standards of quality are observed in the manufacturing process.

The **Marathon** RamJet<sup>®</sup> RJ-550 compactor is a real workhorse! Its proven capability assures top performance in heavy commercial and industrial applications. The RJ-550 is unique to other compactors in its class, offering a large 60" wide by 96 1/2" long clear top opening and a 39" deep charge box, a handy feature during peak loading times or when compacting bulky items.

### Engineered for Durability

The RJ-550 is a high-capacity, heavy-duty compactor, ideal for industrial and commercial applications where large volumes of solid waste are generated. Its rugged construction and large hydraulic power unit allow maximum compaction performance.



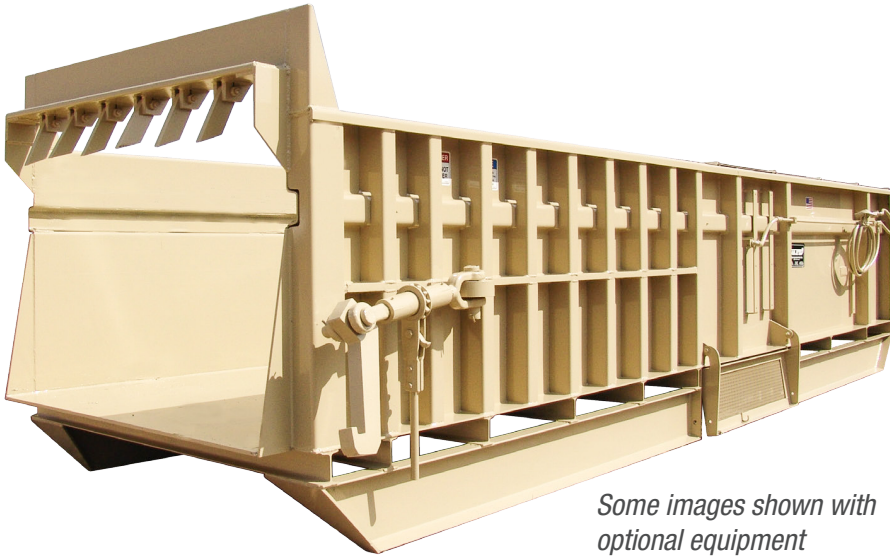
### Transfer Station Applications

The RJ-550 is suitable for use in transfer stations receiving waste from residential collection vehicles used by municipalities and private contractors. A conveniently located RJ-550 transfer facility will eliminate the need for trips to the landfill by intermediate collection vehicles resulting in fuel, maintenance, and labor cost reductions.

# STATIONARY COMPACTORS

## RJ-550 Series Compactor

### Features



*Some images shown with optional equipment*

### RJ-550 Features

- ▼ Large 96 1/2" by 60" clear top opening to accommodate oversized crates and cartons.
- ▼ A quality-built unit, the RJ-550 is solidly reinforced with 4" I-beams throughout. The sturdy ram has a 1/2" thick face plate.
- ▼ The sides are constructed of 1/4" thick steel supported by 14 vertical angles with 1" by 4" bar running horizontally on each side of the charge box area for increased rigidity and strength.
- ▼ The tough 1" by 8" by 6" angle breaker bar easily handles the beating of daily industrial trash.
- ▼ The RJ-550 can be fitted with a variety of material handling equipment such as chutes, hoppers, and dumpers. Cart dumpers can be custom built to your specifications to accommodate existing cart systems.



The RJ-550 features the Marathon® side-mounted power unit. The power unit offers the convenience and ease-of-maintenance of a remote power pack with the space savings of an integrated power pack. The configuration also eliminates ALL electrical components from inside the compactor.



### Compactor Fundamentals

**Eight simple items to consider when choosing the perfect compactor for your application:**

- 1 Recyclables** — Is there sufficient volume of recyclable materials to warrant more than one compaction system or is recycling mandatory?
  - 2 Size of Waste** — Is the Feed (Clear Top) Opening large enough to accommodate the largest items without bridging?
  - 3 Safety Standards** — Does the installation comply with recommended ANSI standards? Is there an access interlock switch on chute or hopper doors and gates? Is a "momentary contact" control required?
  - 4 Power Source** — Is adequate power available? Three or single phase?
  - 5 Convenience** — Is the compactor located for easiest use? Loading height? Can a hopper, doghouse, (charge box enclosure) or cart dumping system improve convenience? Can value be added (building or employee security) by loading through the wall? Would an Ozone Odor Control System solve odor or pest control problems?
  - 6 Volume of Waste Generated** — Will the compactor be adequate to handle the volume generated during the peak load periods?
  - 7 Location** — Does, or can, the waste flow to one central point?
  - 8 Available Space** — Is there space for the Compaction System and maneuvering room for collection trucks? Is there adequate overhead clearance? Is there compatibility with the collection truck?
- ? Have Questions?** If you have any questions or need assistance with your compaction needs, please call **1-800-633-8974** and speak to a specialist. We are here to help!

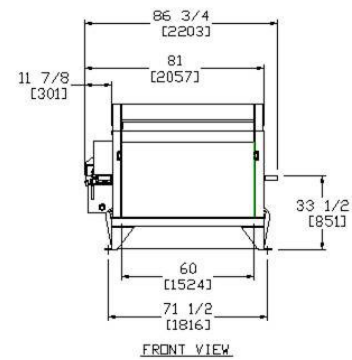
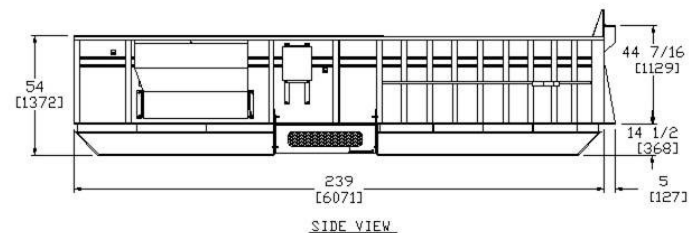
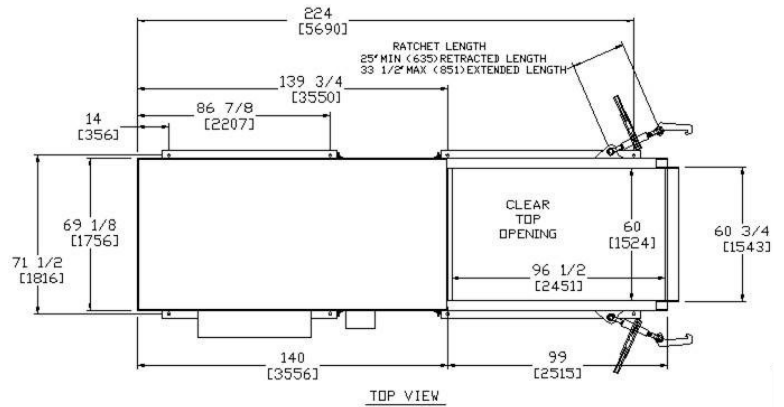
# STATIONARY COMPACTORS



## RJ-550

### Dimensions & Specifications

Specifications	RJ-550	
Clear Top Opening (L x W)	96 1/2" x 60"	2451mm x 1524mm
Compactor Capacity	4.20 yd <sup>3</sup>	3.21 m <sup>3</sup>
Ram-Face Size (W x H)	60" x 33 1/2"	1524mm x 851mm
Weight	10,500 lbs.	4,763 kgs
<b>Performance Characteristics</b>		
Cycle Time	60 sec.	
Total Normal Force	65,400 lbs.	291 kN
Total Maximum Force	76,900 lbs.	342 kN
Normal Ram-Face Pressure	32.5 psi	224 kPa
Maximum Ram-Face Pressure	38.3 psi	264 kPa
Ram Penetration	13 1/2"	343mm
<b>Electrical Equipment</b>		
Electric Motor 3/60/208/230/460/575	15 hp	11.1kW
Electric Control Voltage	120 VAC	
Standard Controls Include	3-Push Button Station Keylock Start/Stop/Reverse	
<b>Hydraulic Equipment</b>		
Hydraulic Pump	18.5 gpm	70 L/min
Normal Pressure	1,700 psi	117 bar
Maximum Pressure	2,000 psi	138 bar
Switch Pressure	1,300 psi	90 bar
Hydraulic Cylinder(s)	1	
Bore	7"	178mm
Rod	4"	102mm
Stroke	112"	2844.81mm



Pictures and mechanical diagrams in this literature are illustrative only and may not be to scale. Specifications are subject to change without notice in order to accommodate improvements to the equipment. Certified in compliance with ANSI standard Z245.2 and all applicable OSHA Regulations. Products must be used only by trained operators in accordance with the Operator Manual, as well as applicable regulations, laws, and ANSI standards.

### Remote Monitoring

You can add the Remote Monitoring System to many of our most popular compactors. For information about adding remote monitoring, please contact your Marathon<sup>®</sup> salesperson.

#### We're Here To Help!

For detailed specifications, recommendations, or to request a site survey comparing various systems, contact the Marathon<sup>®</sup> Sales Team at [MarathonSales@MarathonEquipment.com](mailto:MarathonSales@MarathonEquipment.com)

#### Authorized Dealer:



PO Box 13040 • Spokane, WA 99213  
1(800)892-7831 • Fax (509)533-1050  
Serving Washington, Idaho, Montana, Oregon



Marathon Equipment Company | P.O. Box 1798 | Vernon, AL 35592-1798

Learn more about Marathon Equipment: 800.633.8974 | [www.marathonequipment.com](http://www.marathonequipment.com)