

SEWER EQUIPMENT CO. of AMERICA

SEWER EQUIPMENT
CO. of AMERICA



900 *ECO*

COMBINATION SEWER CLEANER

BEST PRODUCTS, BEST LOCAL SUPPORT



900_{ECO} Truck

Sewer Equipment Co. of America's Model 900 ECO Combination Sewer Cleaner utilizes proven technologies to deliver a machine with simplicity that is unequalled in the industry. As with our leading 747-FR2000 ECO Trailer Jetter and Model 800-HPR ECO Series IV Truck Jet, the Model 900 ECO operating platform offers the best-in-class fuel efficiency and noise reduction for operator safety. Sewer Equipment: Best Products, Best Local Support.



Life used to be so simple, and chances are, so was your combination truck. All indicators are that times have changed in the equipment market, and users are being forced to accept increased complexity when they purchase a new piece of equipment. Operators, mechanics, and supervisors are left wondering what happened to their old truck that was so easy to operate and maintain.

At Sewer Equipment, we have been wondering the same thing. Does integrating CAN Bus communication systems, touch screen interfaces, and computer-controlled logic result in increased productivity, cost effectiveness, operator satisfaction, reliability, longevity, or safety? In talking to most owners, the answer is an emphatic, "NO!"

Introducing the Sewer Equipment Co. of America Model 900 ECO, a machine that puts safety, simplicity, and reliability back into your work day. How do we do it?

It starts with our patented "Hydro Drive" powertrain system, which powers the pump, the blower, and the auxiliary hydraulic systems. When you are ready to work, simply put the truck in neutral, apply the parking brake, and exit the cab. The truck remains in neutral and power is taken directly from the chassis engine, assuring operator safety during operation, as there is no transfer case to slip into gear.

We have made the operator interface as easy as 1-2-3-4. An operator must flip a switch to put the truck into "Work Mode" and from there you can engage switches for the water pump, blower, and throttle. No special sequence, that's it!

The simplicity continues as our unit is also controlled via 12 volt switches, relays, and solenoids, as well as manual hydraulic controls. Operators can be trained to safely operate the truck in minutes, not days or weeks. Mechanics can perform diagnostic analysis with a simple test light and a hydraulic pressure gauge, no laptop with special programs required.

The Model 900 ECO also operates at 35% lower RPM than the competition, consuming considerably less fuel than traditional designs, adding to your bottom line each year. Perhaps more importantly, lower RPM's equate to less noise emission. Complaints from residents are minimized, and the operators enjoy a higher level of safety when they can hear each other and the traffic around them.

So, why has equipment become so complex? Most manufacturers in the sewer cleaning industry have chosen to use CAN Bus communication to control functions via ECU's (Electronic Control Units) on their units. In theory, this technology promises ease of operation and troubleshooting, as well as increased efficiency and productivity. However, in reality, operators are faced with a truck that requires navigation of control menus to perform simple functions, and a truck that mechanics cannot diagnose without specialized training and a laptop equipped with the proper diagnostics program. All things combined, the claim of increased efficiency and productivity quickly dissolves.

Whether you choose your next combination truck based on productivity, reliability, safety, overall value, ease of operation, ease of maintenance or any combination of these traits, the choice is simple: the Model 900 ECO.



1

TOLL FREE 800.323.1604

MODEL 900 SERIES



WATER TANK PROFILE: Exclusive Duraprolene® construction offers 100% immunity to corrosion and dents for unparalleled service life and eliminates the need for draining during storage. The fully baffled construction eliminates sloshing and allows safe travel while full, or partially full, of water.



POWERTRAIN: The most advanced powertrain in the industry, our exclusive "Hydro Drive" powertrain system takes all required power directly from the chassis engine. There is no need for an auxiliary engine, and unlike most other designs, our truck remains in neutral while in work mode, increasing operator peace of mind and safety, as no transfer case is needed.



START UP: Operator simplicity begins in the cab. Simply put the truck in neutral and engage the parking brake. That's it! All other jetting and vacuum functions are controlled from the operator interface on the hose reel.



CHASSIS INTEGRATION: Sewer Equipment's only interface between our module and the chassis is via the OEM throttle control port. This intentional lack of integration eliminates problems caused by CAN Bus communication issues between the chassis and module, which are typical on competitor's designs. If this seems like an insignificant detail, please ask for your fleet manager's opinion.



OPERATOR INTERFACE: Going to work is as simple as 1-2-3-4. Simply engage the following switches:

1. Work Mode - ON
2. Water Pump - ON
3. Blower - ON
4. Throttle - ON

You are now jetting and vacuuming. Compare this to the "rocket ship" controls of other equipment that include touch screens and digital displays. Our easy-to-use and easy-to-understand controls enhance safety and long term reliability, while making an operator's job more pleasant.



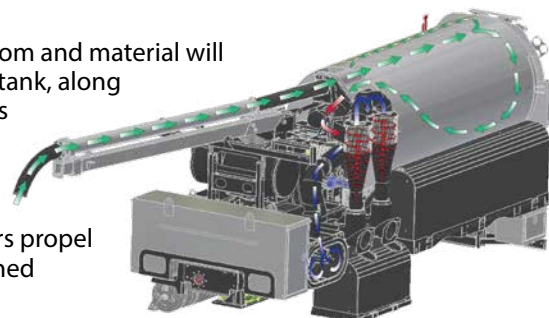
Air Flow System

The air system is the secret behind our industry leading performance. Our air system is designed to deliver industry leading air movement, while providing the maximum protection for your blower.

The first stage in the air system is the debris tank. Air will enter through the boom and material will impact the deflector plate and start to drop into the tank. The air entering the tank, along with the material, is routed from the single 8" entry point to dual 10" exit points located at each side of the entry. Thus slowing down the air flow and improving material separation.

The second stage of the air system takes the air from the tank and routes it into our cyclone separators. At this point the cyclonic action of these separators propel any remaining material to the side walls and then down into an easily maintained collection box.

In the final stage of the air system, the air moves from the cyclone separators into the dual 10 micron final filters. These washable filters will capture any remaining fine particles still in the air stream before allowing the air to pass through the positive displacement blower.



Water System	Truck	Hose Reel & Hose
Cold Weather Recirculation System	S Air Purge Winterization System	O Front Mounted Telescoping & Rotating
2.5" Hydrant Fill System	S Tow Hooks (2)	O 800' x 1" Capacity
Air Purge Valve	S Combination Heavy Duty/Ball Pintle Hitch	O 10' Leader Hose
Variable Volume Delivery	S Central Lubrication System	O Single Side Controls
Low Water Warning Light	S Hydraulic Tool Circuit via Hydraulic	O Automatic Level Wind
Analog Pressure Display	S Diverter Valve	O with Hydraulic Up/Down Action
Front and Rear Hand Gun Ports	S Debris Tank & Rear Door	S Standard Analog Footage Meeter
Fill Hose Storage Rack	O 6 Cubic Yard Capacity	S Digital "SMART COUNTER" Footage Meter
Standard Hydro Excavation Cleaning Kit	O 9 Cubic Yard Capacity	S Secondary Operators Station
Cold Weather Hydro Excavation Cleaning Kit	O 12 Cubic Yard Capacity	S Pinch Roller
2"Y-Strainer on Inlet Fill System	O 15 Cubic Yard Capacity	S Sewer Hose (3/4" I.D., 3000 PSI Operating Pressure) Per Ft
Anti-Freeze System	O Debris Level Indicator	S Sewer Hose (1" I.D., 2500 PSI Operating Pressure) Per Ft
Water Pumps	S Hydraulic Dump, 50 Degree Dump Angle	S Sewer Hose (1-1/4" I.D., 2500 PSI Operating Pressure) Per Ft (1000' Reel Recommended)
Triplex Plunger Water Pump w/ 30 Minute Run-Dry: 65 GPM @ 2000 PSI	S Dual Ported Rear Door w/ Knife Valve	O 25' x 1" Leader Hose
Triplex Plunger Water Pump w/ 30 Minute Run-Dry: 80 GPM @ 2000 PSI	O Hydraulic Open/Close/Lock Door	O 1000' x 1" Reel Capacity Upgrade
Triplex Plunger Water Pump w/ 30 Minute Run-Dry: 55GPM @ 3000 PSI	O Debris Body Pump Off System	Electrical
*Triplex Plunger Water Pump w/ 30 Minute Run-Dry: 100 GPM @ 2500 PSI	O Debris Liquid Level Audible Alarm	O NEMA 4 Control Panel
*Triplex Plunger Water Pump w/ 30 Minute Run-Dry: 120 GPM @ 2000 PSI	O Additional 6" Knife Valve on Rear Door	O Hour Meter (Blower & Water Pump)
Single Piston: 65 GPM @ 2500 PSI Pump	O Decant Screen on Rear Door	O Military Spec. Sealed Switches
Single Piston: 80 GPM @ 2500 PSI Pump	O Debris Inlet Water Misting System	O Wireless Remote Control Pendant
*Single Piston: 100 GPM @ 2500 PSI Pump	O Positive Pressure Decant System	O Wired Remote Control Pendant W/35' Cord
Accumulator for Single Piston Pump	Boom	O Enhanced Visibility Camera System
* = Chassis Requirements	O Hydraulic Powered Boom	O LED Rotating Beacon
Water Tanks	O 180 Degree Working Radius	O LED Strobe Light (2, 4, and 6 Sets Available)
Black Duraprolene Water Tank Construction	O 10' Extendable Design	O LED Premium Strobe Package
Base 600 Gallon Capacity Water Tank 6 Yard	O Heavy Duty 70 Degree Steel Elbow	O LED Arrow Board
Base 900 Gallon Capacity Water Tank 9 Yard	S Telescoping Boom System	O LED Arrow Stick
Base 1300 Gallon Black Duraprolene® Water Tank (debris box saddle) 12 Yard	Vacuum System	O LED Manhole Area Work Light
Base 1500 Gallon Black Duraprolene® Water Tank (debris box saddle) 15 Yard	S 4400 CFM Blower	O LED Curbside Body Mounted Work Light
Additional 200 Gallon Duraprolene® Water Tank (driver side rail)	S 8" Vacuum Hose System	O LED Boom Mounted Work Lights (2)
Additional 150 Gallons Duraprolene® Water Tank (between rails) 9 Yard	S 18" Hg Vacuum Rating	O LED Rear Mounted Work Lights (2)
Additional 200 Gallons Duraprolene® Water Tank (between rails) 12 Yard	S Dual Cyclone Separator	O LED Handheld Wireless 12v/110 Rechargeable
Additional 250 Gallons Duraprolene® Water Tank (between rails) 15 Yard	S Dual Element 10 Micron Final Filter	Accessories
Upgrade Duraprolene® Water Tank From 7yr to 10yr Warranty	O Variable Volume Delivery	S (3) 8" X 6' Extension Tubes
Water Tank Low Level Audible	O Analog Vacuum Display	O (1) 8" X 4' Extension Tubes
Manual & Training	O Remote Vacuum Relief	O (1) 6" X 10' Lay Flat Hose"
(1) Paper Owner's Manual	O 5000 CFM Blower Upgrade	S (1) 8" X 6' Crowned Suction Nozzle
Additional Paper Operators Manual	O 5400 CFM Blower Upgrade	S (5) Quick Clamps
CD-ROM Operator's Manual	Toolbox Configurations	O BB Hose Guide
On-Site Factory Training (1 Day)	O (1) Alum Toolbox 24" x 36 x 96" - Behind Cab	S Toolbox Configurations
On-Site Factory Training (Additional per/Day)	O (2) Alum Toolbox 18" x 18" x 30" - Passenger	O Tri-Star (chisel point) nozzle
	O (2) Alum Toolbox 18" x 18 x 24" - Rear	S DD (high flow) nozzle
	O (1) Alum Long Handle Storage - Rear	S Finned Nozzle Extension
	O Additional 18" x 18" x 30" Aluminum Toolbox	S Nozzle Rack
	O Bumper Mounted Aluminum Tool Box	S 25' Fill Hose
	O (1) 12" x 12" x 14"	S Upstream Pulley Guide
	Paint (Module)	S Wash down gun w/ 25' ext. Hose
	S Debris Tank - Boom: Standard White	S (1) Fan Nozzle (for Wash down Gun)
	O Hose Reel - Upright: Sewer Blue	S (1) Hydrant Wrench
	O All Other Colors (all colors except metallics)	S LED D.O.T. Approved Lighting
		S (6) 18" D.O.T. Safety Cones and Holder

Legend	
Standard	S
Optional	O

MODEL	DEBRIS CAPACITY	LENGTH	WIDTH	HEIGHT	MAX WATER CAPACITY	AXLE CONFIGURATION	MAX HOSE CAPACITY	HOSE SIZE	MIN HP	BOOM EXTENSION
900 ECO	6 YARD	33' 7"	8' 5"	11' 10"	800 Gallon	Single Axle	800'	3/4" - 1"	370 HP	10'
	9 YARD	35' 7"	8' 5"	11' 10"	1400 Gallon	Single Axle	800'	3/4" - 1"	370 HP	10'
	12 YARD	38' 7"	8' 5"	11' 10"	1750 Gallon	Tandem Axle	800'	3/4" - 1"	370 HP	10'
	15 YARD	41' 7"	8' 5"	11' 10"	2100 Gallon	Tridem or Tandem w/Pusher Axle	800'	3/4" - 1"	370 HP	10'

*Model 900-CB ECO available in 6, 9, 12, or 15 yard configuration.

Part No. 92942-01-X, revised 06/2023
 Contents are copyrighted by Sewer Equipment Company of America

Products subject to change without notification.
 Actual projects may not be an exact match to product as shown.

800.323.1604
www.sewerequipment.com

