

STATIONARY COMPACTORS

RJ-325 & RJ-325HD

Stationary Compactors

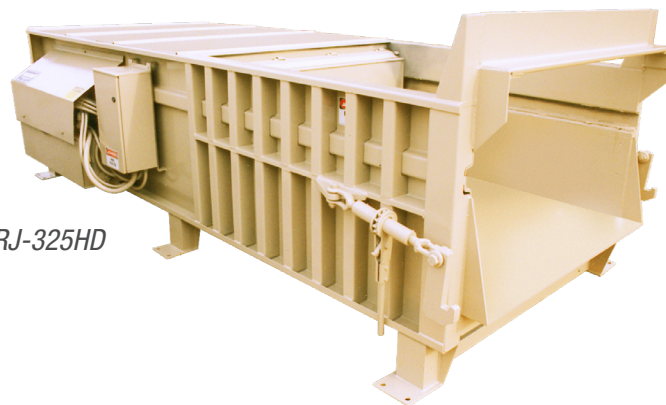


RJ-325 Series Features

- ▼ Designed to handle heavy-duty waste streams.
- ▼ Ideal for municipal drop-off centers.
- ▼ Heavy-duty design and high compaction force yield excellent volume reduction with MSW.
- ▼ User-friendly 48" deck height offers a standard deck height while maintaining the same clear-top opening as a 4yd. compactor.
- ▼ Remote Monitoring System can be added to many of our most popular compactors. For information about adding remote monitoring, please contact your Marathon® salesperson.



RJ-325



RJ-325HD

The Worldwide Compaction Leader

Marathon® Equipment is known throughout the world as one of the leading manufacturers of quality on-site waste compaction products. The RamJet® brand has been the industry standard for quality and innovation for more than 50 years, and includes stationary and self-contained compactors, compaction containers, apartment and high-rise compactors, pre-crushers, auger-style compactors, transfer systems, and a wide array of options for virtually any application.

The iSmart trademark is the property of iSmart Technology Inc.



Environmental
Solutions Group®

a DOVER company

STATIONARY COMPACTORS



RJ-325 Compactor

Overview

Perfect for:



Municipal Recycling
Drop-Off Centers



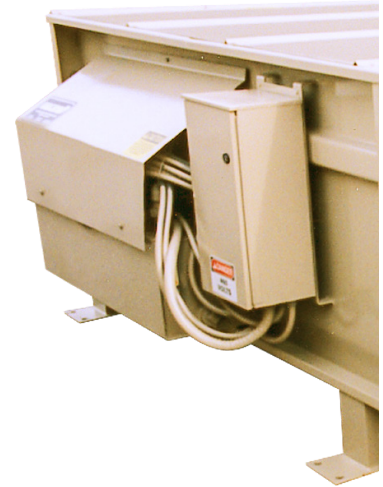
Larger Warehouses



Manufacturing Facilities



Distribution Centers



Side-Mount Power Unit

The RJ-325 and RJ-325HD come standard with a side-mount power unit. This provides the convenience and ease-of-maintenance of a remote power pack with the space savings of an integrated power unit.

Why the RJ-325 Is the Preferred Choice

Marathon brand components are selected for longevity and minimum maintenance, with special attention given to the selection of high-duty-cycle components. Stress engineering provides the optimum degree of structural integrity. Only the best materials are used and the highest standards of quality are observed in the manufacturing process.

The RJ-325 Series Compactor

The Marathon RamJet® RJ-325 series is a proven workhorse with excellent capability, ensuring top performance in heavy commercial and industrial applications. The RJ-325 is unique to other compactors in its class, providing a large 60" wide by 67 1/2" clear-top opening, and a 33" deep charge box – a feature for peak loading times or when compacting bulky items.

Engineered for Durability

The RJ-325 is stress-engineered for durability, adding strength where it belongs. The 1/2" charge box floor is reinforced with seven heavy-duty steel channels, the 1/2" steel plate ram face is backed with 10" structural channels and extra-rugged reinforced sides.



Cart Dumpers, Chutes, and Hoppers Available

These stationary compactors can be fitted with a variety of material handling equipment such as chutes, hoppers, and dumpers. The compactor shown is fitted with a side-fed hopper and a ground level dumper. Cart dumpers can be custom built to your specifications to accommodate existing cart systems.



For more information or to order, call 1-800-633-8974 or visit us at www.marathonequipment.com

STATIONARY COMPACTORS

RJ-325HD Heavy-Duty Compactor

Overview



Perfect for:



Municipal Recycling
Drop-Off Centers



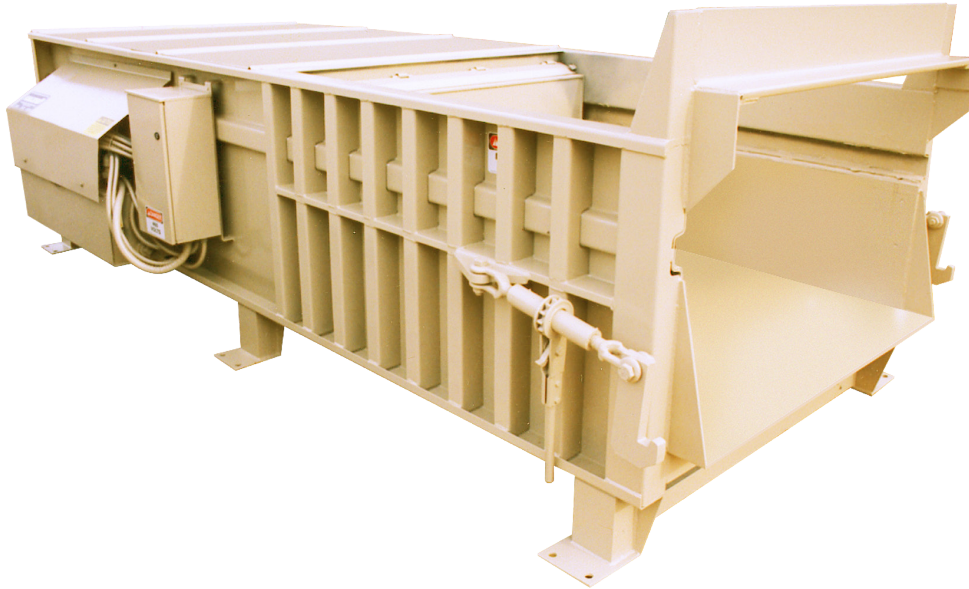
Larger Warehouses



Manufacturing Facilities



Distribution Centers



Ram Guide System

The packing ram is supported by specially formulated cast iron shoes which ride on replaceable wear strips. This exclusive design protects the charge box floor from the full force of the packing ram, extending its life and dramatically reducing compaction robbing friction.

Why The RJ-325HD Is the Preferred Choice

Marathon brand components are selected for longevity and minimum maintenance, with special attention given to the selection of high-duty-cycle components. Stress engineering provides the optimum degree of structural integrity. Only the best materials are used and the highest standards of quality are observed in the manufacturing process.

The RJ-325HD Compactor

The large 59 1/2" wide by 67 1/2" long clear-top opening and superior strength of the RJ-325HD make it just right for large volumes of crates, skids, and other hard-to-compact industrial refuse and trash. Waste is crushed to a fraction of the original bulk.

Heavy-Duty Design

The **Marathon** RJ-325HD is engineered with extra steel to meet the demands of heavy-duty industrial use. Cylinder supports, a 1" thick breaker bar, a 3/8" ram top, and extra side supports are added for superior endurance. Also standard on the RJ-325HD are 1/4" thick steel charge box liners and a 1/2" thick abrasion-resistant steel plate on the charge box floor.



Control Station

The RJ-325 and RJ-325HD feature an advanced, simplified three-button control system. It is key-operated, fully automatic, and contained in a weatherproof NEMA 4 enclosure. Connected to the power pack with 13' of conduit, the controls can be mounted in your choice of location for operator convenience.

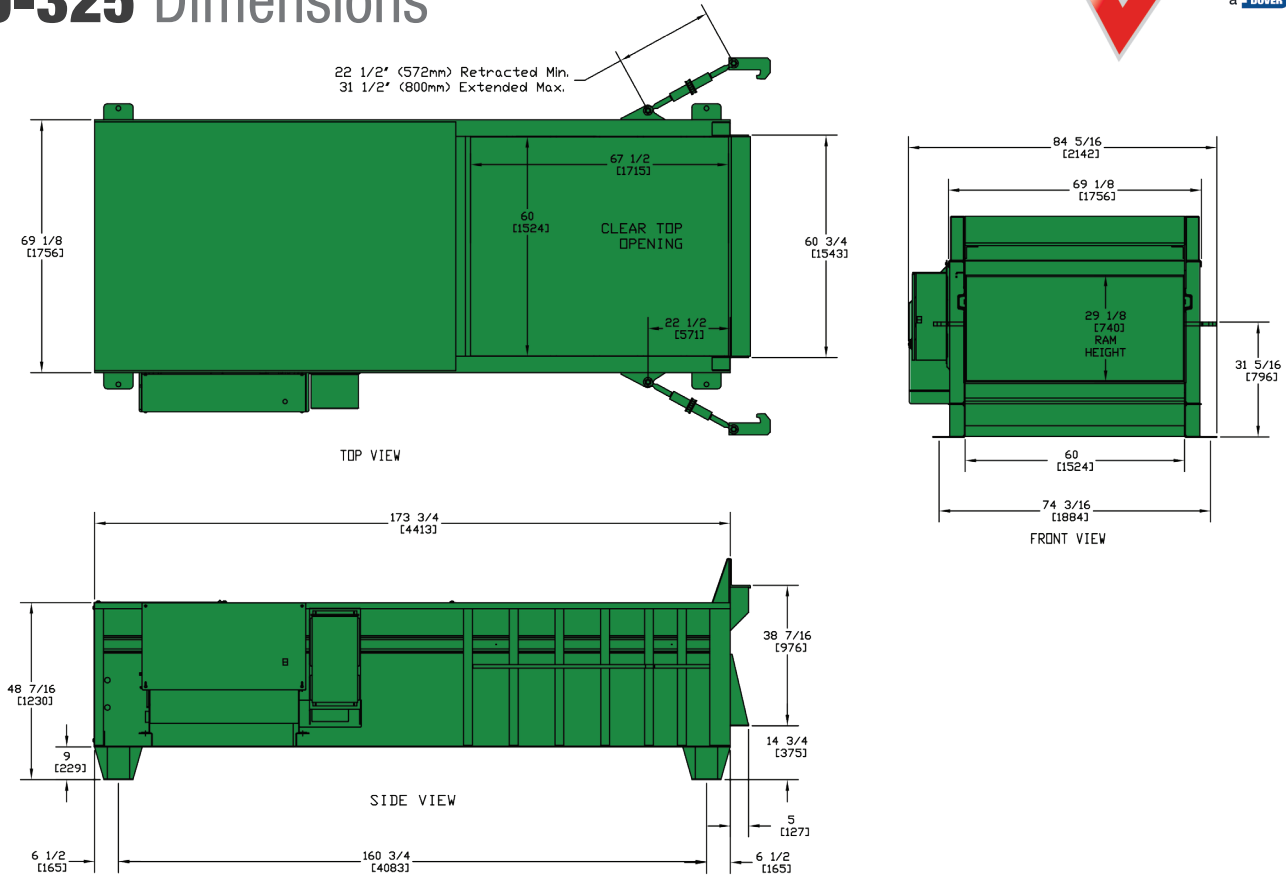


For more information or to order, call 1-800-633-8974 or visit us at www.marathonequipment.com

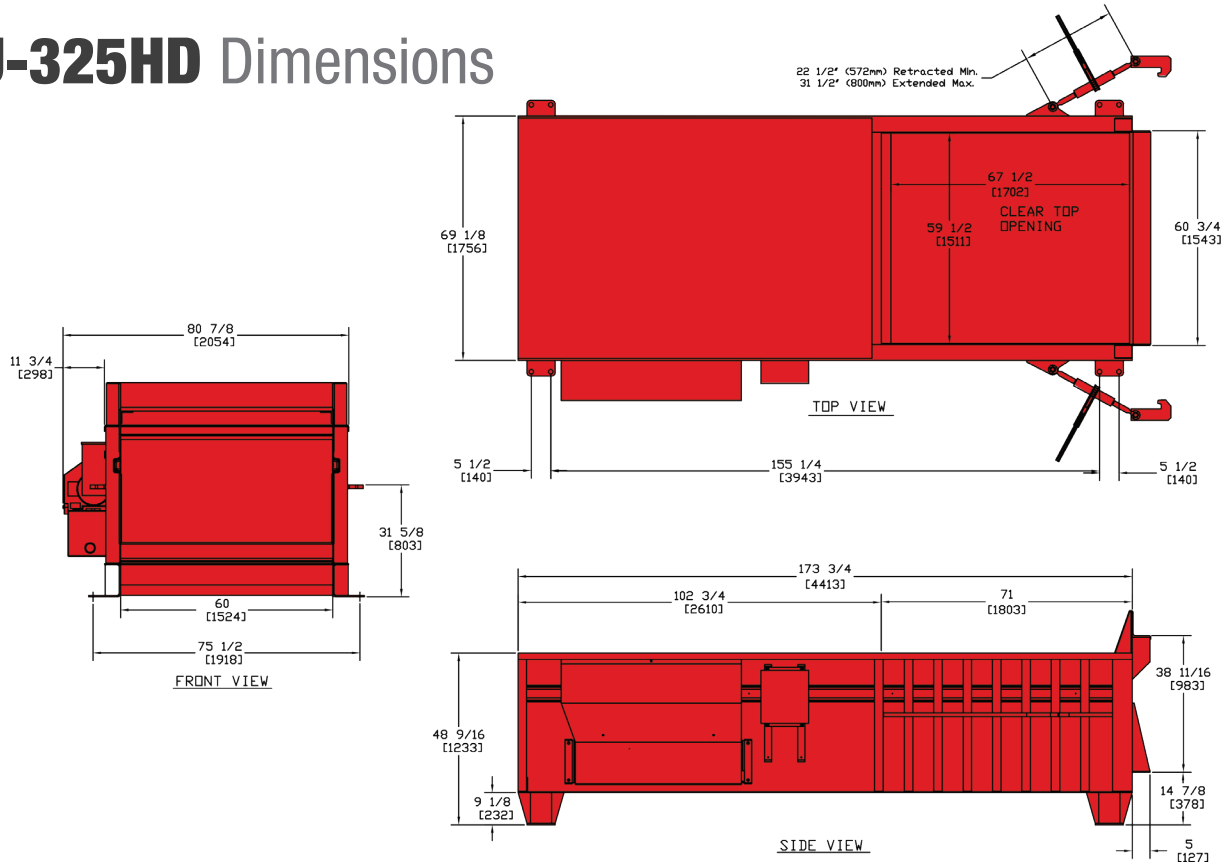
STATIONARY COMPACTORS



RJ-325 Dimensions



RJ-325HD Dimensions



Drawings on this page are for illustration only and may not be to scale



- Self-Contained Compactors
- TC Tanks
- Stationary Compactors
- Auger Compactors
- Containers & Carts
- VIP
- MPT
- Mini-Mac
- VB
- Cart Dumpers

MARATHON WARRANTY

Marathon® Equipment is pleased to announce the release of our updated Warranty Coverage program. This warranty will take effect and be applicable on all products sold on or after June 1st, 2021. Note that this warranty plan is not retroactive to products sold prior to June 1st, 2021.

Marathon® Compaction Solutions Warranty

3 Yr. Structural, 2 Yr. Parts, 1 Yr. Labor

Our existing Signature Series Warranty, Compactor Warranty, and Auger Warranties have been combined into a new Compaction Solutions Warranty. The Compaction Solutions Warranty includes **3-years structural warranty, 2-years part warranty, and 1-year labor warranty.**

Worry-Free, Lowest Life-Cycle Cost

You have great options for equipment acquisition. Choose from a new Marathon® compactor or baler, or get a Marathon Certified Remanufactured product backed by the same best-in-industry warranty of a new Marathon product.

Our multiple extended warranty options, preventive service and maintenance programs, OEM parts, and asset connectivity all combine to optimize the performance of your equipment.

Digital connectivity monitors your assets ensuring predictive and condition-based equipment maintenance. Eliminate the costs associated with unnecessary down time and repairs. Service only when needed and replace only when and what is needed.

GOT CORES? **TRADE IN - TRADE UP!**

Through our **Marathon** Certified Remanufactured compactor and baler program, you can now establish a true closed-loop recycling process, which not only includes your commodities, but also your equipment.

The **Marathon** Certified Remanufacturing program allows you to purchase a factory-certified remanufactured product with the same warranty as a brand new one, providing a solution to optimize recycling commodities AND equipment.

For more information on the Marathon Cores Program, contact your local dealer.





Connected Collections™

1 BACK-OF-STORE CONNECTED ASSET SOLUTIONS



1 Focus on the front of the store, we've got the back.

The ultimate solution for peace of mind, efficiency, and productivity.

2 Marathon® provides a full suite of value-added needs.

New and Marathon Certified Remanufactured compactors and balers, digital connectivity, and waste stream monitoring to minimize your waste-related expenses and maximize recycling revenue.

3 Digital connectivity enables asset monitoring, assists with predictive maintenance, and connection to hauler operations.

Partnership with Marathon® supports your long-term sustainability objectives - and provides documentary evidence of your performance.

3 All the information you need at the tips of your fingers.

Eye-Site™ provides a complete dashboard view of the waste and recycling programs for your entire enterprise.

BEST BRAND. UNMATCHED CUSTOMER VALUE. ALL EYES ON YOUR BUSINESS.

Asset Management

- Availability and predictability of assets
- Preventative Maintenance & Service Agreements
- Extended Warranty options
- OEM Parts
- Marathon Certified Remanufacturing with the same warranty as new

Waste Metering

- Right product in the right bucket
- Traceability and control of recycling material
- Enterprise tracking for sustainability goals and measurement
- Reduce contamination

Productivity

- Ensure you have the right equipment
- Pick up when full and not early. Minimize disposal costs
- Remote fullness monitoring & bale weight monitoring
- Maximize recycling revenue

STATIONARY COMPACTORS



RJ-325 & RJ-325HD

Dimensions & Specifications

Specifications	RJ-325		RJ-325HD	
Clear-Top Opening (L x W)	67 1/2" x 60"	1715mm x 1524mm	67 1/2" x 59 1/2"	1715mm x 1511mm
Compactor Capacity	2.54 yd ³	1.94 m ³	2.51 yd ³	1.92 m ³
Ram-Face Size (W x H)	60" x 29"	1524mm x 737mm	59.5" x 29"	1511mm x 737mm
Compactor Weight	6,700 lbs.	3039 kg	7,375 lbs.	3345 kg
Performance Characteristics				
Cycle Time	50 seconds		50 seconds	
Total Normal Force	46,660 lbs.	207 kN	46,660 lbs.	207 kN
Total Maximum Force	55,100 lbs.	245 kN	55,100 lbs.	245 kN
Normal Ram-Face Pressure	26.8 psi	185 kPa	27.0 psi	186 kPa
Maximum Ram-Face Pressure	31.7 psi	218 kPa	31.9 psi	220 kPa
Ram Penetration	13"	330mm	13"	330mm
Electrical Equipment				
Electric Motor 3/60-208/230/460/575	15 hp	11.2 kW	15 hp	11.2 kW
Electric Control Voltage	120 VAC		120 VAC	
Standard Controls Include	Three Push-Button Controls: Keylock Start, Stop, Reverse			
Hydraulic Equipment				
Pump Capacity	18.5 gpm	70 L/min	18.5 gpm	70 L/min
Normal Pressure	1,650 psi	114 bar	1,650 psi	114 bar
Maximum Pressure	1,950 psi	134 bar	1,950 psi	134 bar
Hydraulic Cylinder (Bore)	6"	152mm	6"	152mm
Hydraulic Cylinder (Rod)	4"	102mm	4"	102mm
Hydraulic Cylinder (Stroke)	82"	2083mm	82"	2083mm

Pictures and mechanical diagrams in this literature are illustrative only and may not be to scale. Specifications are subject to change without notice in order to accommodate improvements to the equipment. Certified in compliance with ANSI standard Z245.2 and all applicable OSHA Regulations. Products must be used only by trained operators in accordance with the Operator Manual, as well as applicable regulations, laws, and ANSI standards.

We're Here To Help!

For detailed specifications, recommendations, or to request a site survey comparing various systems, contact the Marathon® Sales Team at MarathonSales@MarathonEquipment.com

Authorized Dealer:



Marathon Equipment Company | P.O. Box 1798 | Vernon, AL 35592-1798

Learn more about Marathon Equipment: **800.633.8974** | www.marathonequipment.com

© 2022 Marathon Equipment Company. All rights reserved.



www.marathonequipment.com

Contact your Marathon® authorized dealer:



PO Box 13040 • Spokane, WA 99213
1(800)892-7831 • Fax (509)533-1050

Serving Washington, Idaho, Montana, Oregon